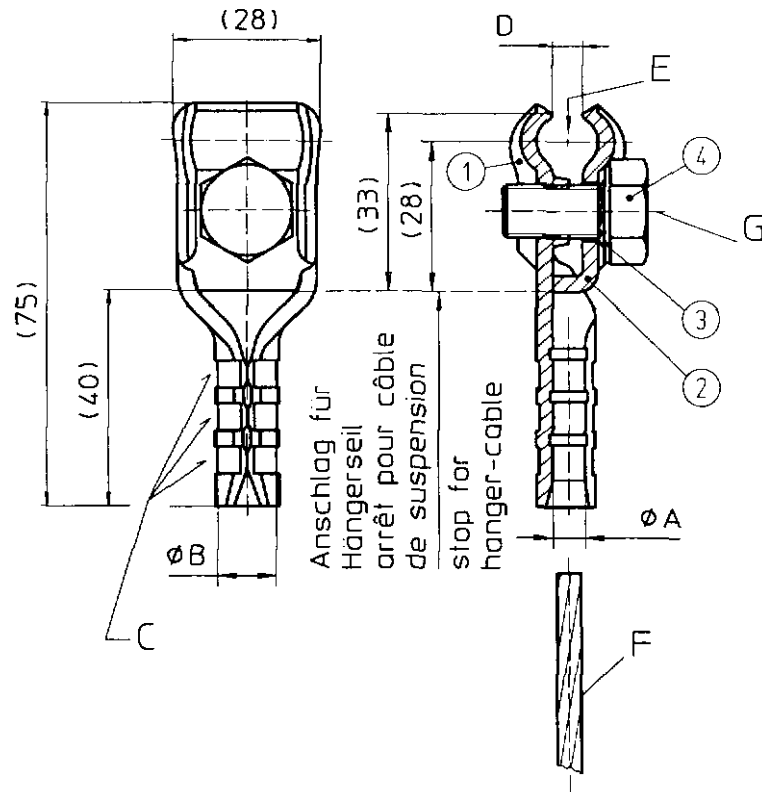


| Artikel Nummer<br>No d'article<br>Number | Position 1<br>Material<br>matériel<br>materiat | Position 2 | Position 3 | Position 4<br>6kt Schraube<br>vis à tête six pans<br>hexagon screw | A<br>ø +0.2 | B<br>ø | C<br>Sechskt.-Pressung<br>sertissage hexagonal<br>hexagonal pressing | D<br>Kerbe<br>rainure<br>groove | E<br>Tragseil<br>câble porteur<br>cable | F<br>Hängerseil<br>câble de Suspension<br>hanger cable | G<br>Drehmoment<br>couple de serrage<br>torque moment | Gewicht<br>poids<br>weights |
|--|--|------------|------------|--|-------------|--------|--|---------------------------------|---|--|---|-----------------------------|
| 625.030.000                              | 069.0363 Cu Ni2 Si                             | 069.0362   | 953.04.026 | 951.04.354 (M10x20)  | 5.4         | 11     | KZ 11 (3x)   | 3.0-8.5mm                       | ø6.5 - ø12.6mm                          | 10mm2 (ø 5.4mm max.)                                   | 20.25Nm   | 0.101kg                     |
| 625.021.000                              | 069.0361 Cu Ni2 Si                             | 069.0362   | 953.04.026 | 951.04.354 (M10x20)  | 6.5         | 12     | KZ 11 (3x)   | 3.0-8.5mm                       | ø6.5 - ø12.6mm                          | 16mm2 (ø 6.5mm max.)                                   | 20.25Nm   | 0.103kg                     |
| 625.024.000                              | 069.0390 Cu Ni2 Si                             | 069.0362   | 953.04.026 | 951.04.354 (M10x20)  | 8.0         | 14     | KZ 13 (3x)   | 3.0-8.5mm                       | ø6.5 - ø12.6mm                          | 25mm2 (ø 8.0mm max.)                                   | 20.25Nm   | 0.110kg                     |
| 625.032.000                              | 069.0363 Cu Ni2 Si                             | 069.0595   | 953.04.026 | 951.04.374 (M10x25)  | 5.4         | 11     | KZ 11 (3x)   | 5.6-8.5mm                       | ø12.6 - ø14mm                           | 10mm2 (ø 5.4mm max.)                                   | 20.25Nm   | 0.105kg                     |
| 625.033.000                              | 069.0361 Cu Ni2 Si                             | 069.0595   | 953.04.026 | 951.04.374 (M10x25)  | 6.5         | 12     | KZ 11 (3x)   | 5.6-8.5mm                       | ø12.6 - ø14mm                           | 16mm2 (ø 6.5mm max.)                                   | 20.25Nm   | 0.107kg                     |
| 625.026.000                              | 069.0555 E-Cu                                  | 069.0362   | 953.04.026 | 951.04.354 (M10x20)  | 5.4         | 11     | KZ 11 (3x)   | 3.0-8.5mm                       | ø6.5 - ø12.6mm                          | 10mm2 (ø 5.4mm max.)                                   | 15Nm  | 0.103kg                     |
| 6.3277                                   | 069.0555 E-Cu                                  | 069.0595   | 953.04.026 | 951.04.374 (M10x25)  | 5.4         | 11     | KZ 11 (3x)   | 5.6-8.5mm                       | ø12.6 - ø14mm                           | 10mm2 (ø 5.4mm max.)                                   | 15Nm  | 0.107kg                     |
| 6.3278                                   | 069.0644 E-Cu                                  | 069.0595   | 953.04.026 | 951.04.374 (M10x25)  | 6.5         | 12     | KZ 11 (3x)   | 5.6-8.5mm                       | ø12.6 - ø14mm                           | 16mm2 (ø 6.5mm max.)                                   | 15Nm  | 0.109kg                     |



F.nr. for E-7470: 250.012.38

|   |   |                             |            |                |     |
|---|---|-----------------------------|------------|----------------|-----|
| Kontaktledningsanlegg<br>Hengetrådklemme f/pressing<br>på Bz 10 mm <sup>2</sup> |   | Målestokk                   | Data       | 29.08.99       |     |
|   |   | -                           |            | Tegnet av      | HMH |
|   |   | -                           |            | Kontrollert av |     |
|   |   | -                           |            | Godkjent av    |     |
| -   |   | Arkiv bet.                  |            |                |     |
| -   |   | Erstatn. for                |            |                |     |
| -   |   | Erstattet av                |            |                |     |
| -   |   | Tegning nr                  | E-7470     | Rev            |     |
| <b>Jernbaneverket</b>   |   |                             |            |                |     |
| 4   | 6kt Schraube/vis à tête six pans/hexagon screw                | 1                           | Inox A4-80 |                |     |
| 3   | Fächerscheibe/rondelle éventail/spring washer                 | 1                           | Inox       |                |     |
| 2   | Klemmplatte/plaque de serrage courte/clamping plate           | 1                           | Cu Ni 2 Si |                |     |
| 1   | Seilklemmplatte/plaque de serrage longue/cable clamping plate | 1                           |            |                |     |
| Pos.  | Gegenstand  | Dimension                   | Stk        | Material       |     |
| Änderungen  |   | Ersetzt durch               |            |                |     |
|   |   | Ersatz für                  |            |                |     |
| Seilhängerklammer<br>pince de suspension TF4<br>hanger clamp                    |   | Maßstab<br>Echelle<br>Scale | Gez        | 06.05.97 vk    |     |
|   |   | 1:1                         | Gepr       | 02.03.99 BL    |     |
|   |   |                             | Freigez    | 12.8.99 JH     |     |
| (AF) ARTHUR FLURY AG CH-4543 DEITINGEN  |   | 6.3190-iue                  |            | Äend.          |     |