

















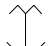






<b>1 AUTOCAD® - FIGURER.....</b>	<b>2</b>
1.1 Kabelplan .....	3
1.2 Veibom .....	3
1.3 Diverse .....	4
1.4 Sporfelter .....	4
1.5 Komponenter .....	5
1.6 Rele.....	6
1.7 Signal.....	7
1.8 Veksel.....	8
1.9 Sporveksel .....	9
1.10 Tabell.....	9
1.11 Transformator .....	10

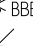

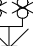
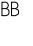








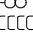









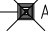

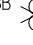
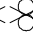


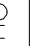
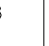

## **1 AUTOCAD® - FIGURER**

Signaltegninger for bruk i Jernbaneverket skal tegnes i Autocad®, og de figurene som skal brukes er gjengitt i dette vedlegget.

## 1.1 Kabelplan

KABELPLAN					
AS-ATS AAA BBB  CCC DDD	AS-SKAP AAA BBB  CCC DDD	DRIVMASK 	GRUPSK AAA BBB  CCCC DDD	ISO-SK10 	ISO-SK11 
ISO-SKJ1 	ISO-SKJ2 	ISO-SKJ3 	ISO-SKJ4 	ISO-SKJ5 	ISO-SKJ7 
KABEL-S 	LOKSTILL 	OVERDR1 	OVERDR2 	RIGEL 	S-LAS AAAA  BBBB
SUGTRAF 	TILF-RET 	S-LAS2 AAAA  BBBB	KABEL-S2 		
 = INNSETTINGSPUNKT					

## 1.2 Veibom

VEIBOM					
SIGNV001 AAA  BBB  CCC	SIGNV002 AA   BBB  CCC	PL0001 AAAA OO  BBB CC	SIGNV003 AA  BBB  C	SIGNV004 AAA  B   CCC	PL0002 BBB   A OO CCCC
ELE001 AAA 	MEK001 BB 	SIG3MM_1 AAA  BBB  CCC	SIG3MM_2 AA   BBB  C	SIG3MM_3 AAA OO  BBB CCCC	ELE002  AAA
MEK002  AAA	SIG3MM_4 AAA BBB  C	SIG3MM_5 A BBB   CCC	SIG3MM_6 BBB   AAA OO CCC	ELE003 AAA  BBB	SIG2SID  AAA
 = INNSETTINGSPUNKT					

**1.3 Diverse**

DIVERSE					
IS-SJ002 	SFNR001 	SFNR002 	SFNR003 	TLF001 	STAPP001 
STIL001 	AVG001 	AVG002 	ZL001 	BAL002 	BAL004 
LYS001 	AVL001 	AVS001 	AVS002 	AVL002 	AVS003 
AVS004 					
= INNSETTINGSPUNKT					

**1.4 Sporfelter**

SPORFELTER					
BYGGESE 	SPORF-NR 	SPORIS01 	SPORIS02 	SPORIS03 	SPORIS04 
SPORIS05 	SPORIS06 	SPORIS07 	SPORIS08 	SPORIS09 	OVERD1 
OVERD2 	OVERD3 				
= INNSETTINGSPUNKT					

## 1.5 Komponenter


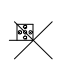
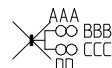
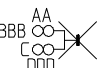


KOMPONENTER					
SKIN001 	SKIN002 	PKT001 	KAB001 	PIL001 	PIL002 
PIL003 	VEKS001 	OHM001 	UF001 	KVAD001 	SIGM001 
RING001 	RING002 	RING003 	KEY001 	KEY002 	KEY003 
SIK001 	SIK002 	SIKR003 	SKIL001 	LASK001 	VERN002 
VERN003 	MOT001 	MOT002 	MOT003 	MOT004 	KOND001 
DIOD001 	DIOD002 	DIOD003 	DIOD004 	LIKE001 	TYRI001 
JORD001 	AKKU001 	AKKU002 	LAMP002 		
= INNSSETTSPUNKT					

1.6 Rele

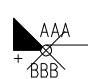
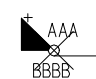

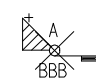
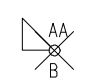
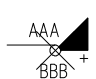
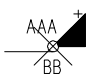
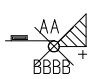
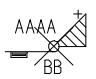
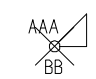
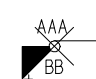
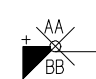
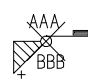
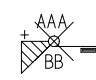

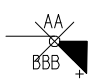
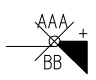
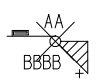
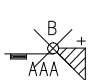



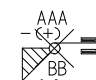
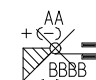
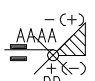
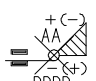
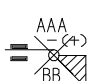
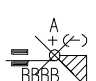


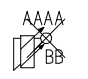
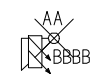
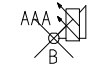
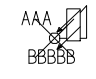
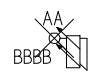
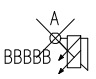

RELE					
BKONT 	BKONT2 	BRYTER1 	BRYTER2 	BRYTER3 	FKONT 
FKONT2 	MAGNET 	SPOLE1 	SPOLE2 	SPOLE3 	SPOLE4 
SPOLE5 	SPOLE6 		SPOLE7 		
SPOLE8 		SPOLE8B 		SPOLE9 	
SPOLE10 		SPOLE11 		STILLER1 	STILLER2 
STILLER3 	STILLER4 	STILLER5 	STILLER6 	TRKNP1 	TRKNP2 
= INNSETTINGSPUNKT					

**1.7 Signal**

SIGNAL (1)					
AVGSIGN1 	AVGSIGN3 	BREMS1 	BREMS2 	DVERG1 	DVERG2 
DVERG3 	DVERG4 	DVERG5 	DVERG6 	FORSIGN 	FORSIGNB 
FORSIGNC 	FORSIGND 	FORSIGNE 	FORSIGNF 	FORSIGNG 	H-SKIFT1 
H-SKIFT2 	H-SKIFT3 	H-SKIFT4 	HOSIGNB 	HOSIGNC 	HOSIGND 
HOSIGNE 	HOSIGNF 	HOSIGNG 	HOSIGNH 	HOSIGNI 	HOSIGNJ 
HOSIGNK 	HOSIGNL 	HOSIGNM 	HOSIGNN 	HOSIGNO 	HOSIGNP 
HOVEDSIG 	MIDDEL1 	MIDDEL2 	MIDDEL3 	MIDDEL4 	PIL1 
SMAST1 	TGVSLUT1 	TOGSPOR 	TOGSPR2 	TOGSPR3 	TOGSPR4 
X = INNSETTINGSPUNKT					

SIGNAL (2)					
TOM1	V-TGV1	BROSIGN1	BROSIGN2	BROSIGN3	
					
					

### 1.8 Veksel

VEKSEL					
VK001	VK002	VK003	VK004	VK005	VK006
					
VK007	VK008	VK009	VK010	VK011	VK012
					
VK014	VK015	VK016	VK017	VK018	VK019
					
VK020	VK021	VK022	VK023	VK024	VK025
					
VK026	VK027	VK028	VK029	DSP001	DSP002
					
DSP003	DSP004	DSP005	DSP006	DSP007	DSP008
					
					



### 1.9 Sporveksel

SKORVEKSEL					
VKS001 	VKS002 	VKS003 	VKS004 	VKS005 	VKS006 
VKS007 	VKS008 	VKS009 	VKS010 	VKS011 	VKS012 
VKS013 	VKS014 	VKS015 	VKS016 	LAAS001 	LAAS002 
LAAS003 					
X = INNSETTINGSPUNKT					

### 1.10 Tabell

TABELL					
KEY004 	KEY005 	KEY006 	KEY007 	STIL002 	AUT001 
STIL003 	STIL004 	STIL005 	FJERN001 	STIL008 	KEY008 
MINUS 	PLUSS 	LIK 	PL-MIN 		
X = INNSETTINGSPUNKT					

1.11 Transformator

