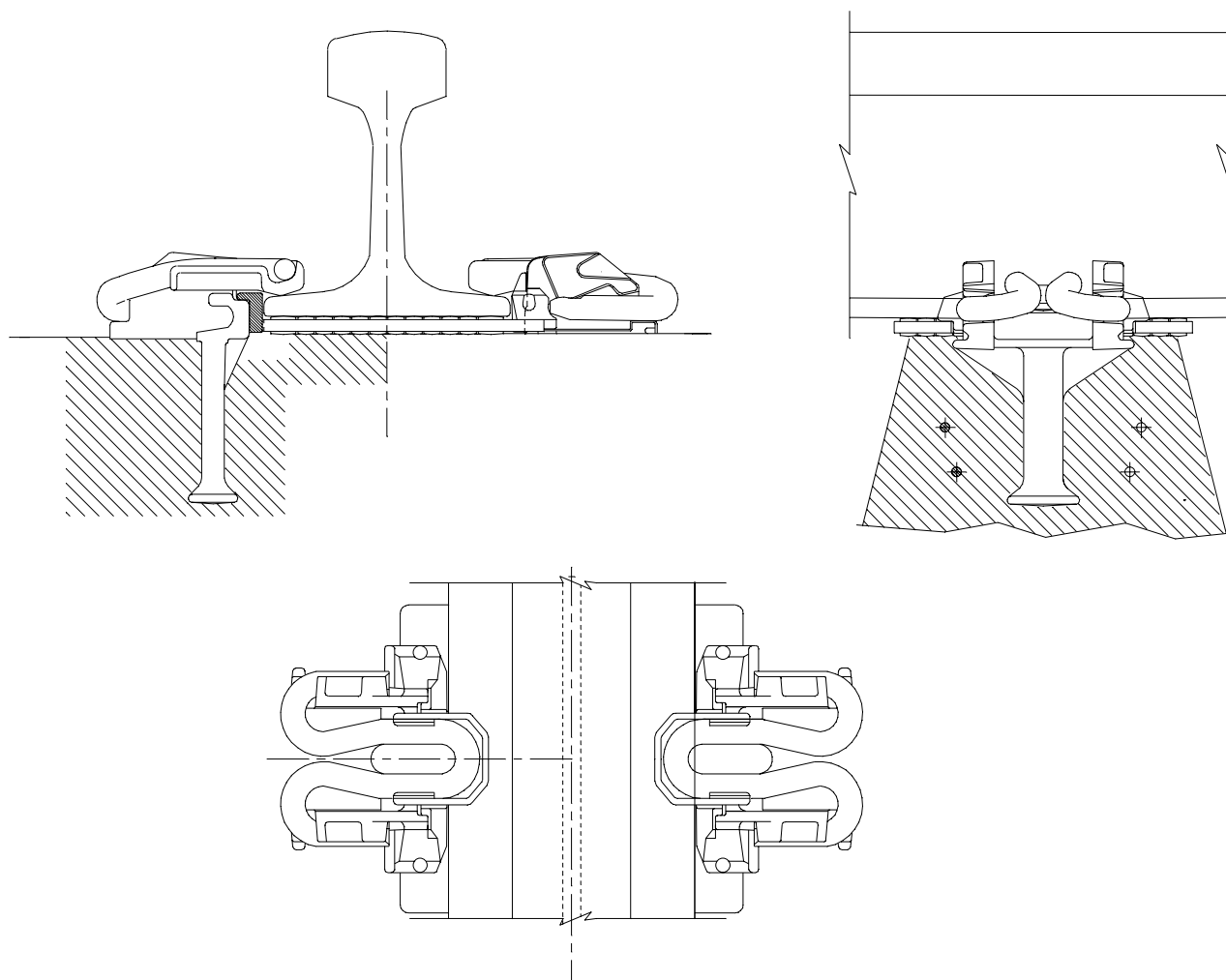


---

|    |   |    |
|----|---|----|
| 1  | UIC60 / PANDROL FASTCLIP / NSB 95 .....                             | 2  |
| 2  | UIC60 / PANDROL e / NSB 93 .....                                    | 3  |
| 3  | S49/S54 / PANDROL FASTCLIP / JBV 97 .....                           | 4  |
| 4  | S41/S49/S54 / PANDROL e / NSB 90.....                               | 5  |
| 5  | S41/S49/S54/PANDROL e / ENHETSSVILLE .....                          | 6  |
| 6  | S41/S49/S54 PANDROL PR / ENHETSSVILLE .....                         | 7  |
| 7  | 35 kg/NSB40 / PANDROL PR / ENHETSSVILLE.....                        | 8  |
| 8  | NSB40/35 kg / PANDROL PR / ENHETSSVILLE SPESIAL.....                | 9  |
| 9  | S41/S49/S54 / PANDROL PR / BETONGSVILLE 2.....                      | 10 |
| 10 | S41/S49/S54 / PANDROL PR / BETONGSVILLE 2 MED STØPEJERNSANKER.....  | 11 |
| 11 | S41/S49 / HEY-BACK / BETONGSVILLE 2.....                            | 12 |
| 12 | S49/S54 / PANDROL FASTCLIP / TRESVILLER .....                       | 13 |
| 13 | S49/S54 / PANDROL E / TRESVILLER .....                              | 14 |
| 14 | S41/S49/S54 / HEY-BACK / TRESVILLER .....                           | 15 |
| 15 | 35kg/NSB40 / HEY-BACK / TRESVILLER .....                            | 16 |
| 16 | UIC54/UIC60 / NABLA / TRESVILLER .....                              | 17 |
| 17 | S54/UIC54/UIC60/ DOBLE FJÆRSPIKER / TRESVILLER .....                | 18 |
| 18 | UIC60 / PANDROL FASTCLIP/e-clip / BETONGSVILLE FOR SPORVEKSEL ..... | 19 |
| 19 | S54/UIC60 / PANDROL PR / BETONGSVILLE FOR SPORVEKSEL.....           | 20 |
| 20 | S49 / PANDROL PR / BETONGSVILLE FOR SPORVEKSEL.....                 | 21 |

## 1 UIC60 / PANDROL FASTCLIP / NSB 95



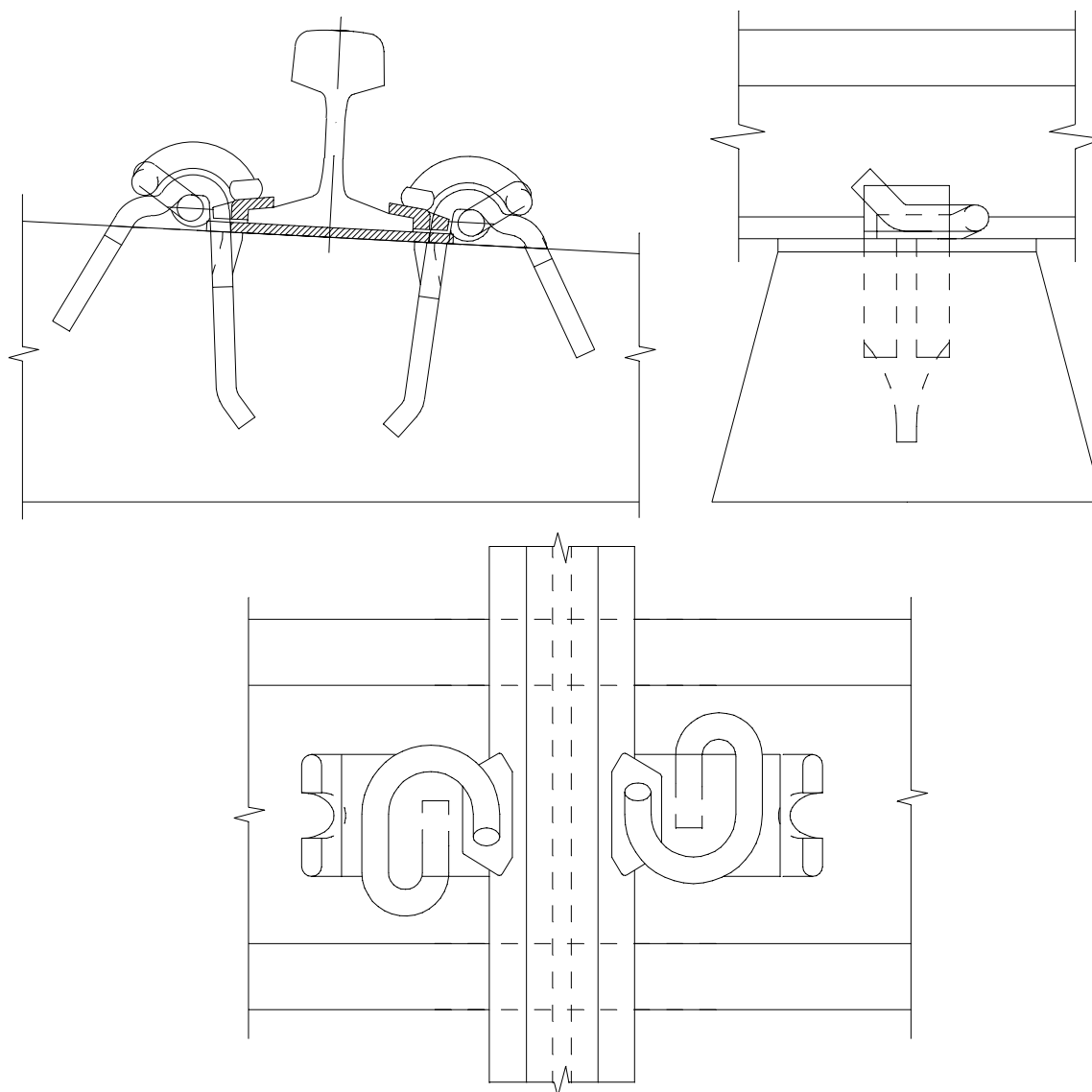
Tabell 6.a.1

Materialer til UIC60 / Pandrol Fastclip / NSB 95

| Deler                     | Betegnelse     | F.nr.                    | Ant. pr. sville |
|---------------------------|----------------|--------------------------|-----------------|
| Skinner                   | UIC60          | 101.160.xx               | -               |
| Fjærer                    | Pandrol FC1501 | 103.203.01               | 4               |
| Tåisolatorer              | Sk 3162a       | 103.203.06               | 4               |
| Sideisolatorer            | Sk 3163        | 103.203.03               | 4               |
| Mellomleggsplater (gummi) | Sk 3164        | 103.203.04               | 2               |
| Sville                    | NSB 95         | 116.003.07 <sup>1)</sup> | -               |

<sup>1)</sup> NSB 95 sville med komplett Pandrol Fastclip befestigelse påmontert.

## 2 UIC60 / PANDROL e / NSB 93

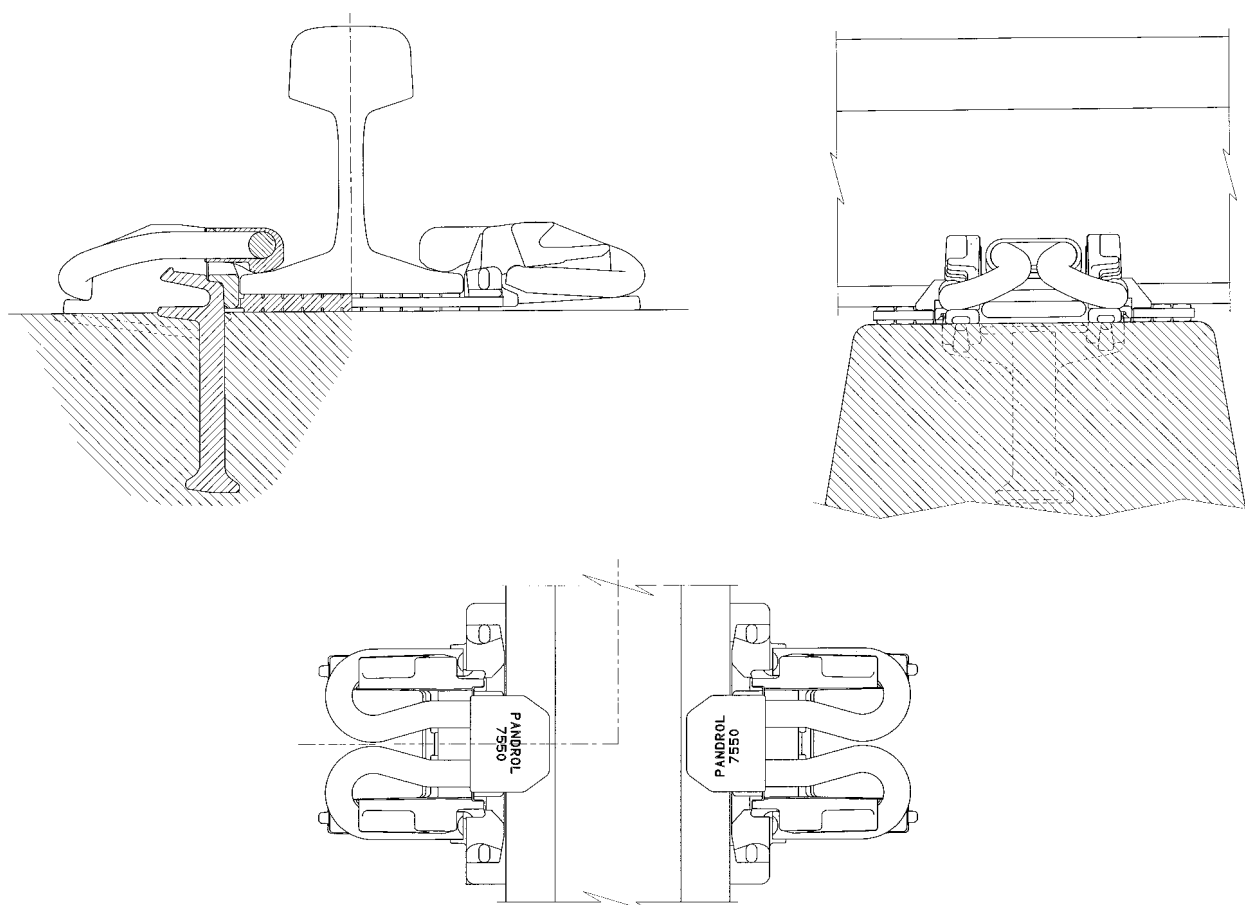


Tabell 6.a.2

Materialer til UIC60 / Pandrol e / NSB 93

| Deler                     | Betegnelse    | F.nr.      | Ant. pr. sville |
|---------------------------|---------------|------------|-----------------|
| Skinner                   | UIC60         | 101.160.xx | -               |
| Fjærer                    | Pandrol e1877 | 103.201.56 | 4               |
| Isolatorer                | Sk 3118       | 103.101.58 | 4               |
| Mellomleggsplater (gummi) | Sk 3125       | 103.101.31 | 2               |
| Sville                    | NSB 93        | 116.003.05 | -               |

## 3 S49/S54 / PANDROL FASTCLIP / JBV 97

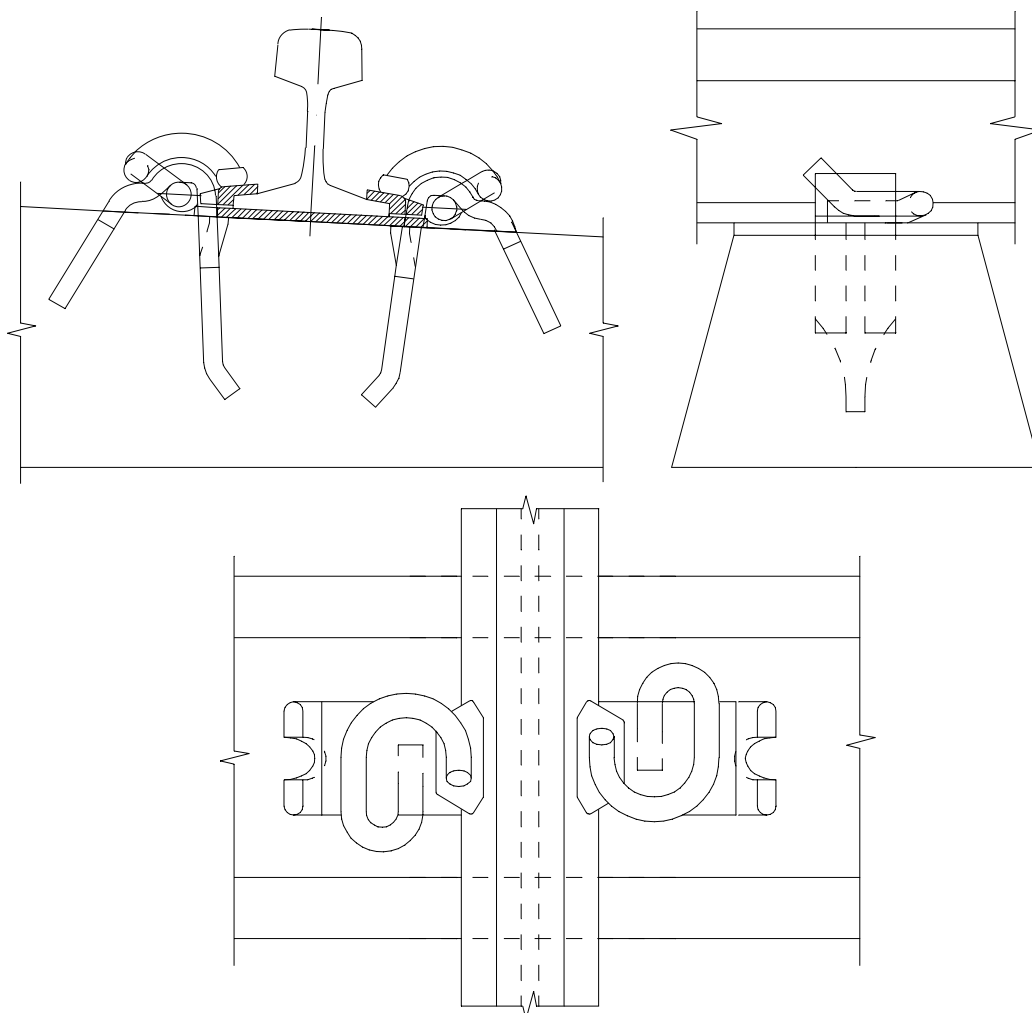


Tabell 6.a.3 Materialer til S49/S54 / Pandrol Fastclip / JBV 97

| Deler                     | Betegnelse/F.nr.                   |                                    | Ant. pr. sville |
|---------------------------|------------------------------------|------------------------------------|-----------------|
| Skinner                   | S49<br>101.149.xx                  | S54<br>101.154.xx                  | -               |
| Fjærer                    | Pandrol FC1501<br>103.203.01       | Pandrol FC1501<br>103.203.01       | 4               |
| Tåisolatorer              | Sk 3162a<br>103.203.06             | Sk 3162a<br>103.203.06             | 4               |
| Sideisolatorer            | Sk 3163<br>103.203.03              | Sk 3163<br>103.203.03              | 4               |
| Mellomleggsplater (gummi) | Sk 3166 (10 mm)<br>103.203.05      | Sk 3167 (10 mm)<br>103.203.05      | 2               |
| Sville                    | JBV 97<br>116.003.04 <sup>1)</sup> | JBV 97<br>116.003.04 <sup>1)</sup> | -               |

<sup>1)</sup> JBV 97 sville med komplett Pandrol Fastclip befestigelse påmontert

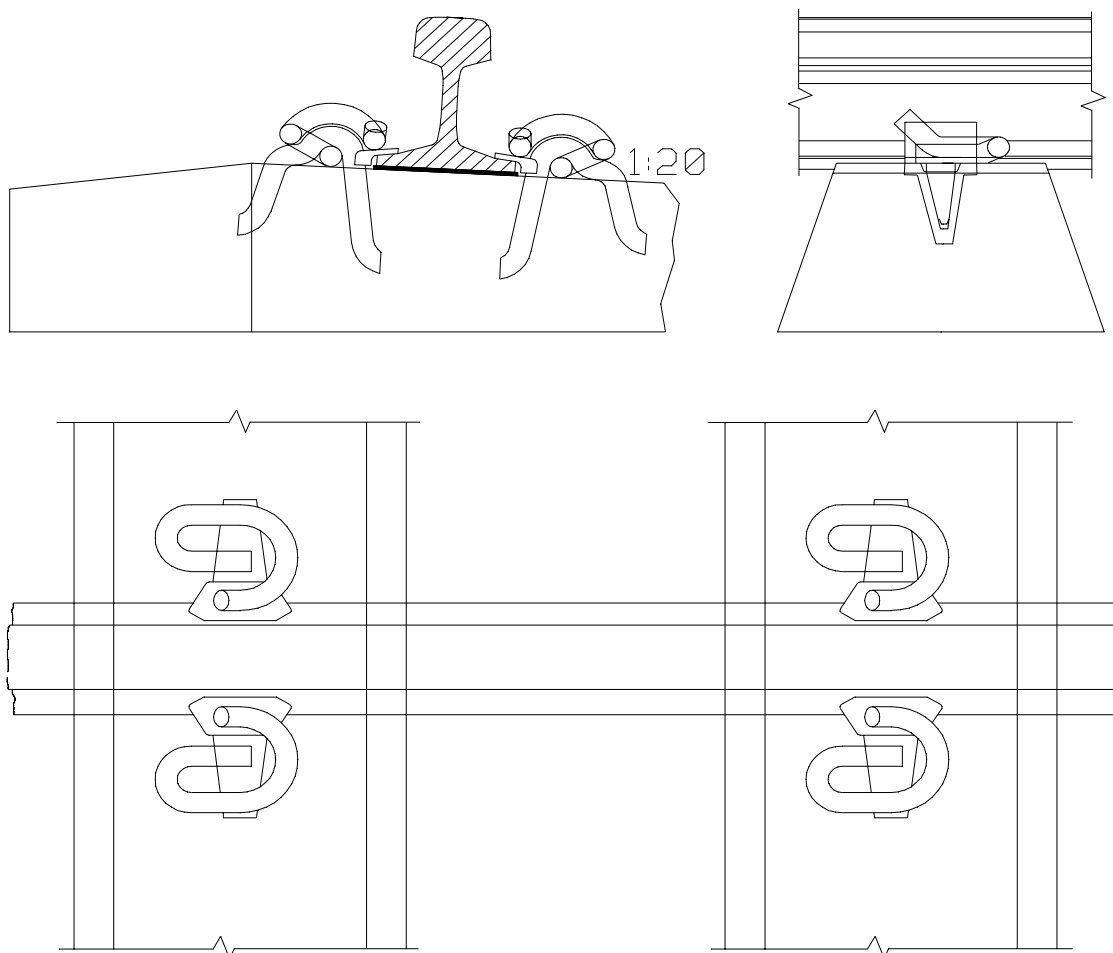
**4 S41/S49/S54 / PANDROL e / NSB 90**



Tabell 6.a.4 Materialer til S41/S49/S54 / Pandrol e / NSB 90

| Deler            | Betegnelse / F.nr.          |                             |                             | Antall / sville |
|------------------|-----------------------------|-----------------------------|-----------------------------|-----------------|
| Skinner          | S41<br>101.141.xx           | S49<br>101.149.xx           | S54<br>101.154.xx           | -               |
| Fjærer           | e1877<br>103.201.56         | e1877<br>103.201.56         | e1877<br>103.201.56         | 4               |
| Isolatorer       | Sk 3107 (rød)<br>103.101.55 | Sk 3107 (rød)<br>103.101.55 | Sk 3109 (blå)<br>103.101.57 | 4               |
| Mellomleggsplate | Sk 3111<br>103.101.39       | Sk 3111<br>103.101.39       | Sk 3111<br>103.101.39       | 2               |
| Sville           | NSB 90<br>116.003.06        | NSB 90<br>116.003.06        | NSB 90<br>116.003.06        | -               |

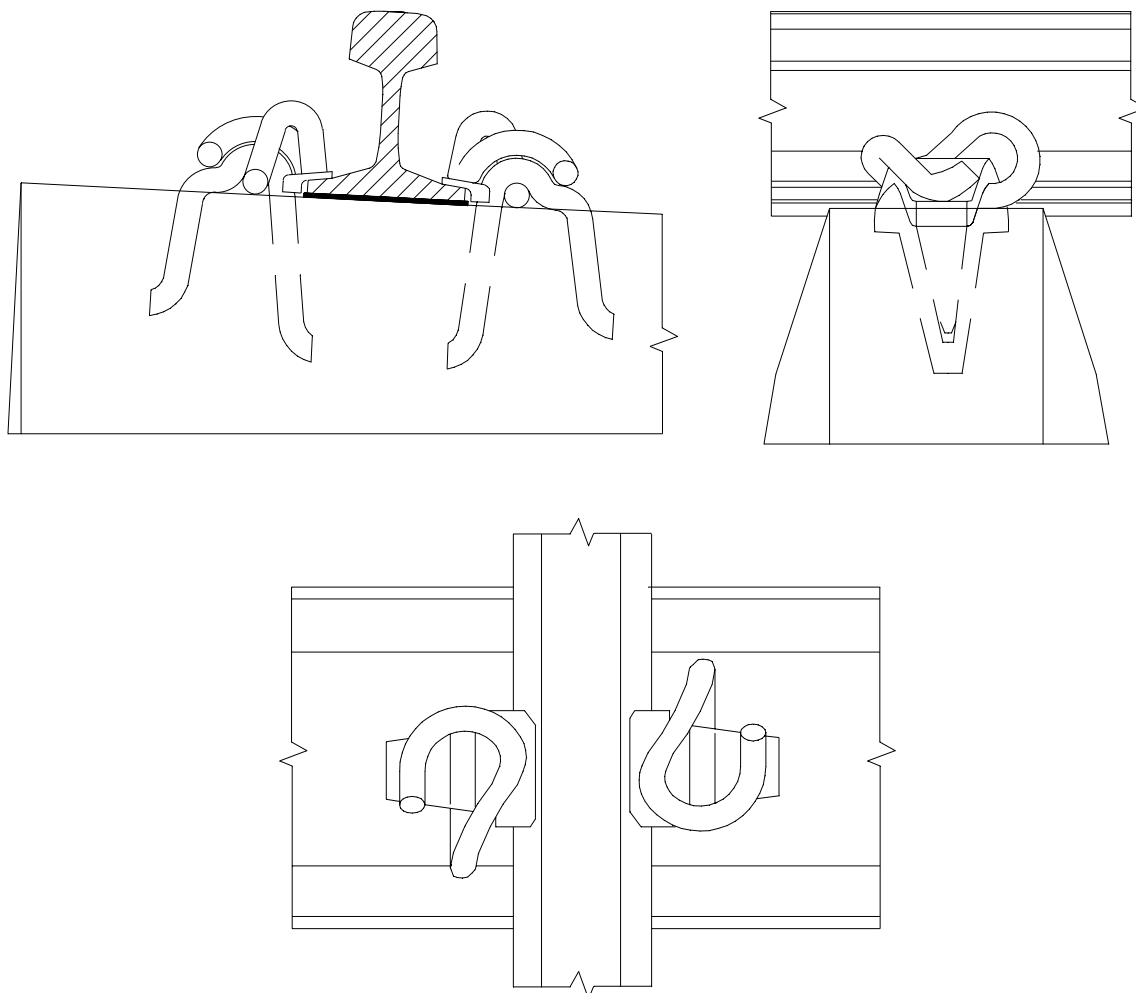
5 S41/S49/S54/PANDROL e / ENHETSSVILLE



Tabell 6.a.5 Materialer til S41/S49/S54 / Pandrol e / Enhetssville

| Deler      | Betegnelse / F.nr.             |                                |                                | Ant./sville |
|------------|--------------------------------|--------------------------------|--------------------------------|-------------|
| Skinner    | S41<br>101.141.xx              | S49<br>101.149.xx              | S54<br>101.154.xx              | -           |
| Fjær       | e1877<br>103.201.56            | e1877<br>103.201.56            | e1877<br>103.201.56            | 4           |
| Mellomlegg | Sk 1632<br>103.101.33          | Sk 1632<br>103.101.33          | Sk 3169<br>103.101.28          | 2           |
| Isolatorer | Sk 3101 (grå)<br>103.101.51    | Sk 3101 (grå)<br>103.101.51    | Sk 3103 (grønn)<br>103.101.53  | 4           |
| Sviller    | NSB enhetssville<br>116.003.01 | NSB enhetssville<br>116.003.01 | NSB enhetssville<br>116.003.01 | -           |

**6 S41/S49/S54 PANDROL PR / ENHETSSVILLE**

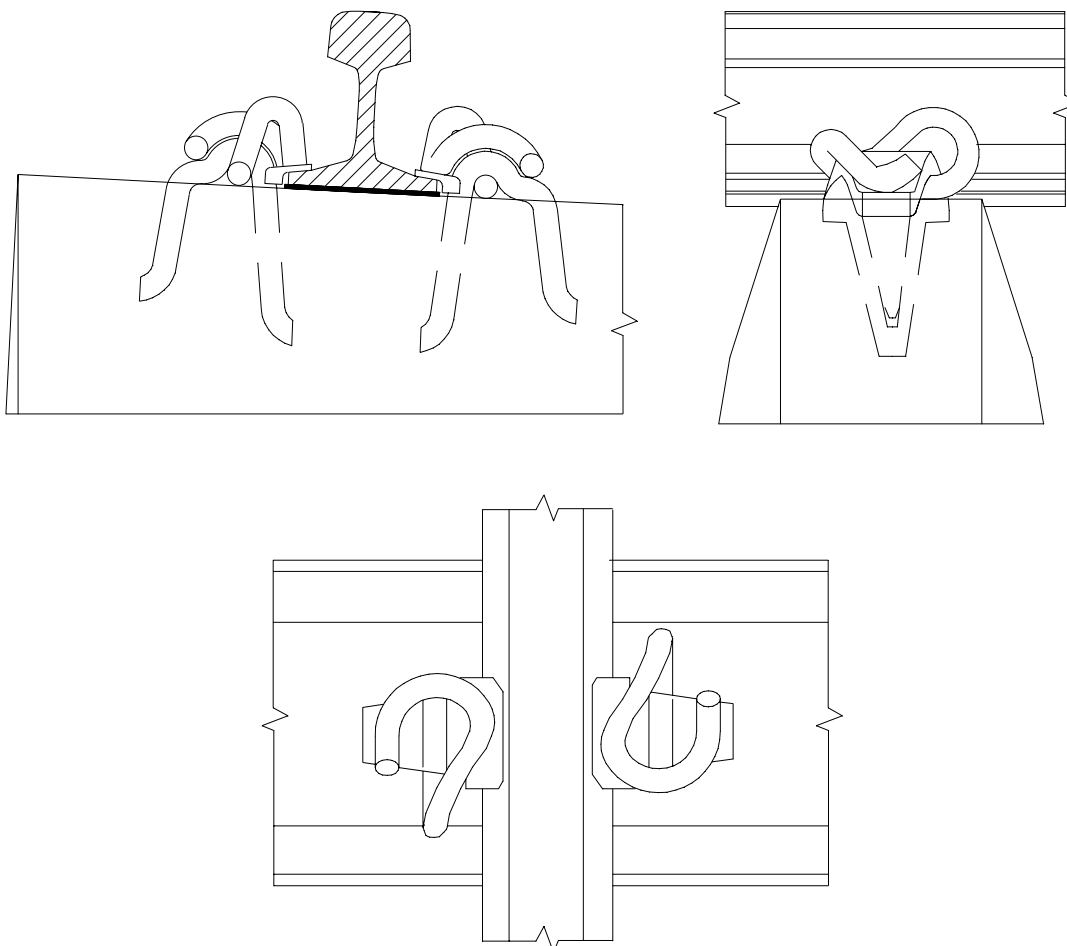


Tabell 6.a.6 Materialer til S41/S49/S54 Pandrol PR / Enhetssville

| Deler      | Betegnelse / F.nr.             |                                |                                | Ant. / sville |
|------------|--------------------------------|--------------------------------|--------------------------------|---------------|
| Skinner    | S41<br>101.141.xx              | S49<br>101.149.xx              | S54<br>101.154.xx              | -             |
| Fjærer     | PR341 A (svart)<br>103.201.54  | PR341A (svart)<br>103.201.54   | PR341A (svart)<br>103.201.54   | 4             |
| Mellomlegg | Sk 1632<br>103.101.33          | Sk 1632<br>103.101.33          | Sk 1632<br>103.101.33          | 2             |
| Isolatorer | Sk 3117 (svart)<br>103.101.50  | Sk 3117 (svart)<br>103.101.50  | Sk 3117 (svart)<br>103.101.50  | 4             |
| Sviller    | NSB enhetssville<br>116.003.01 | NSB enhetssville<br>116.003.01 | NSB enhetssville<br>116.003.01 | -             |

## 7

## 35 KG/NSB40 / PANDROL PR / ENHETSSVILLE



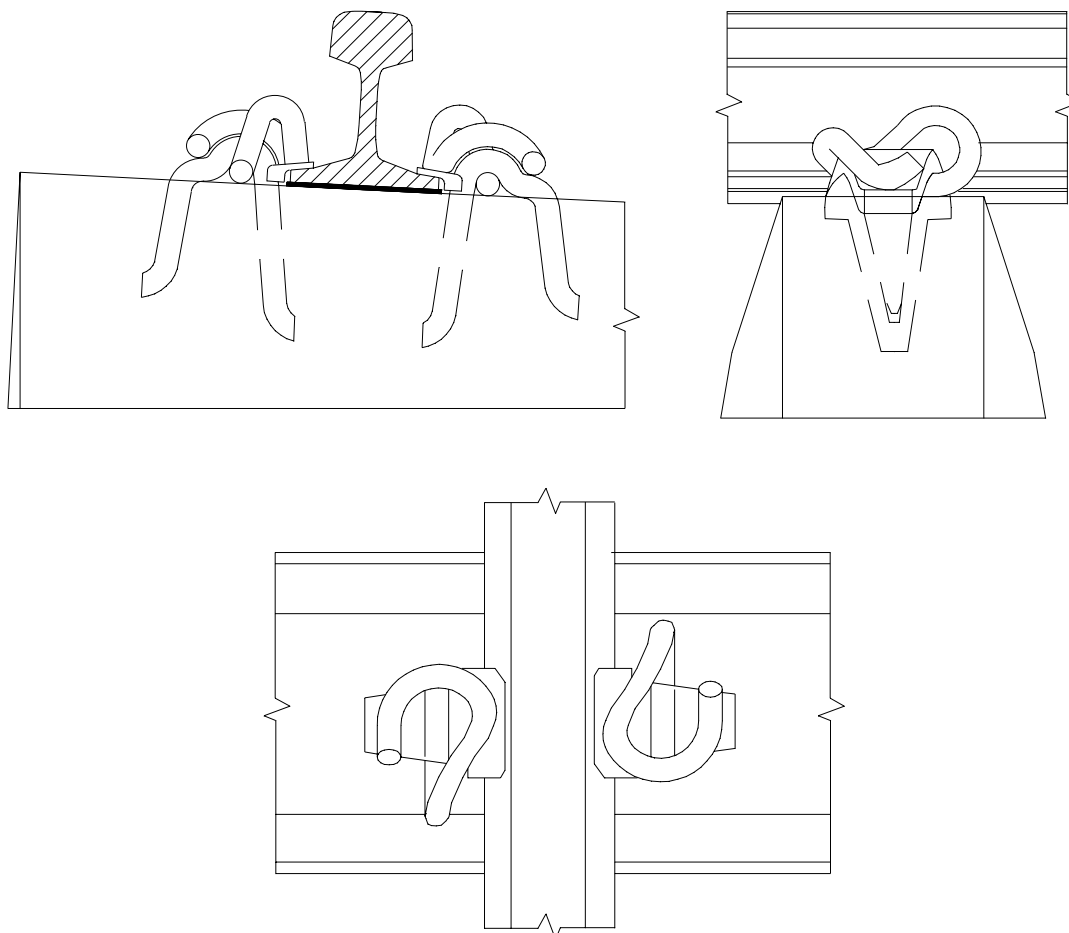
Tabell 6.a.7

Materialer til 35 kg/NSB40 / Pandrol PR / Enhetssville

| Deler      | Betegnelse / F.nr.             |                                | Ant. / sville |
|------------|--------------------------------|--------------------------------|---------------|
| Skinner    | 35kg<br>101.035.xx             | NSB40<br>101.140.xx            | -             |
| Fjær       | PR341A (svart)<br>103.201.54   | PR341A (svart)<br>103.201.54   | 4             |
| Mellomlegg | Sk 1632<br>103.101.33          | Sk 1632<br>103.101.33          | 2             |
| Isolatorer | Sk 1587<br>103.101.44          | Sk 1587<br>103.101.44          | 4             |
| Sviller    | NSB Enhetssville<br>116.003.01 | NSB Enhetssville<br>116.003.01 | -             |



## 8 NSB40/35 KG / PANDROL PR / ENHETSSVILLE SPESIAL

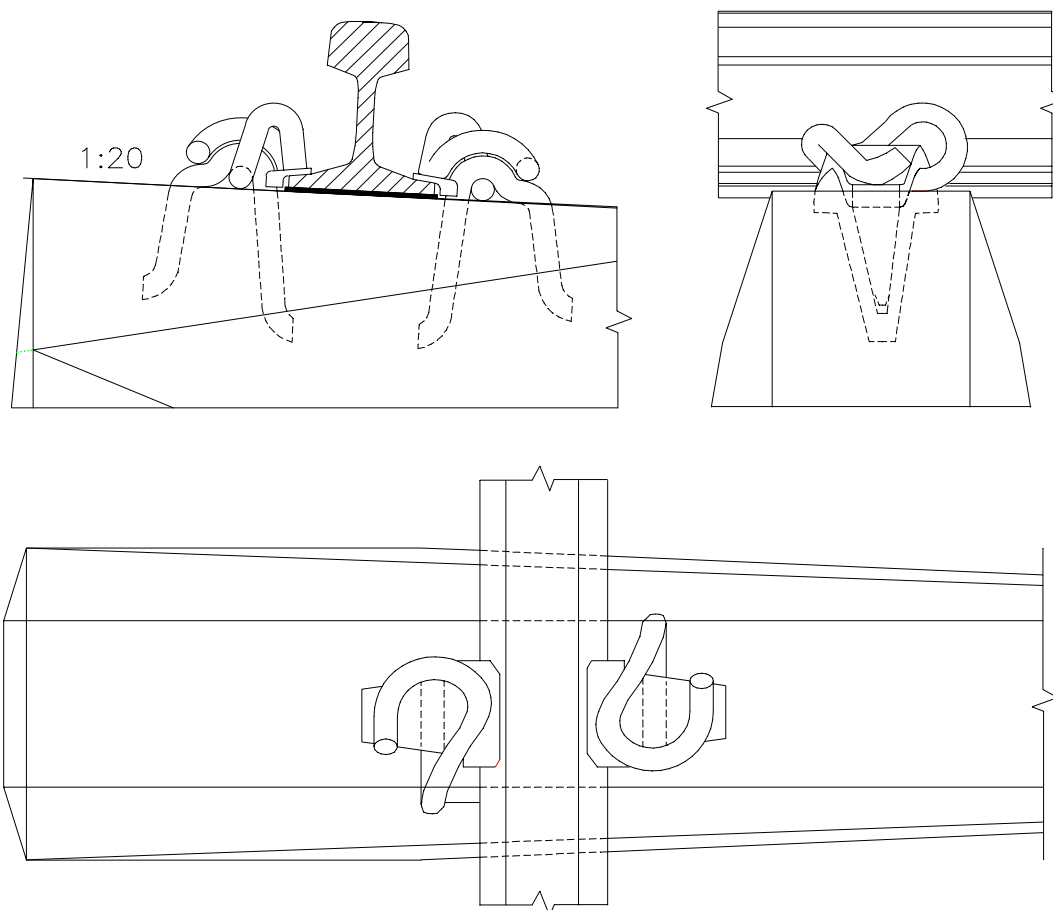


Tabell 6.a.8

Materialer til 35 kg/NSB40 / Pandrol PR / Enhetssville spesial

| Deler      | Betegnelse / F.nr.                     |  | Ant. / sville |
|------------|--|--|---------------|
| Skinner    | 35kg<br>101.035.xx                     | NSB40<br>101.140.xx                    | -             |
| Fjær       | PR341A (svart)<br>103.201.54           | PR341A (svart)<br>103.201.54           | 4             |
| Mellomlegg | Sk 1629<br>103.101.10                  | Sk 1629<br>103.101.10                  | 2             |
| Isolatorer | Sk 3117<br>103.101.50                  | Sk 3117<br>103.101.50                  | 4             |
| Sviller    | NSB Enhetssville spesial<br>116.001.01 | NSB Enhetssville spesial<br>116.001.01 | -             |

## 9 S41/S49/S54 / PANDROL PR / BETONGSVILLE 2

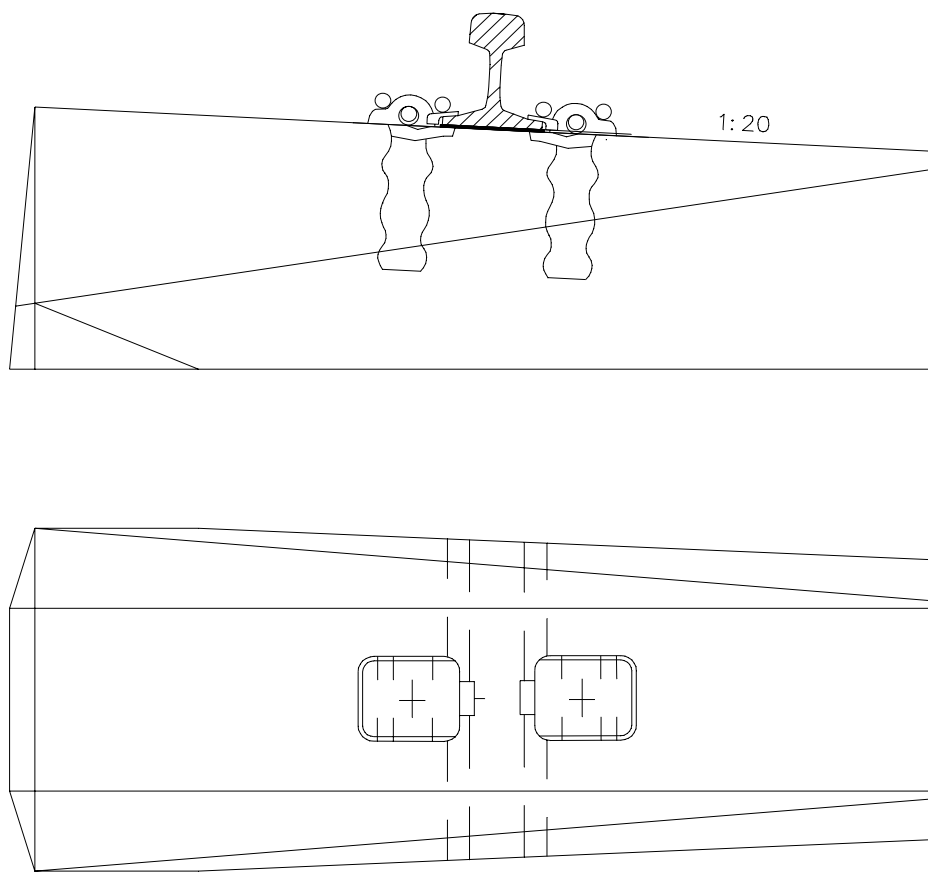


Tabell 6.a.9

Materialer til S41/S49/S54 / Pandrol PR / Betongsville  
type 2

| Deler      | Betegnelse / F.nr.            |                               |                               | Ant. / sville |
|------------|-------------------------------|-------------------------------|-------------------------------|---------------|
|            | S41                           | S49                           | S54                           |               |
| Skinner    | S41<br>101.141.xx             | S49<br>101.149.xx             | S54<br>101.154.xx             | -             |
| Fjærer     | PR323 (svart)<br>103.201.71   | PR323 (svart)<br>103.201.71   | PR323 (svart)<br>103.201.71   | 4             |
| Mellomlegg | Sk 1632<br>103.101.33         | Sk 1632<br>103.101.33         | Sk 1632<br>103.101.33         | 2             |
| Isolatorer | Sk 3117 (svart)<br>103.101.50 | Sk 3117 (svart)<br>103.101.50 | Sk 3117 (svart)<br>103.101.50 | 4             |
| Sviller    | Betongsville 2<br>116.003.02  | Betongsville 2<br>116.003.02  | Betongsville 2<br>116.003.02  | -             |

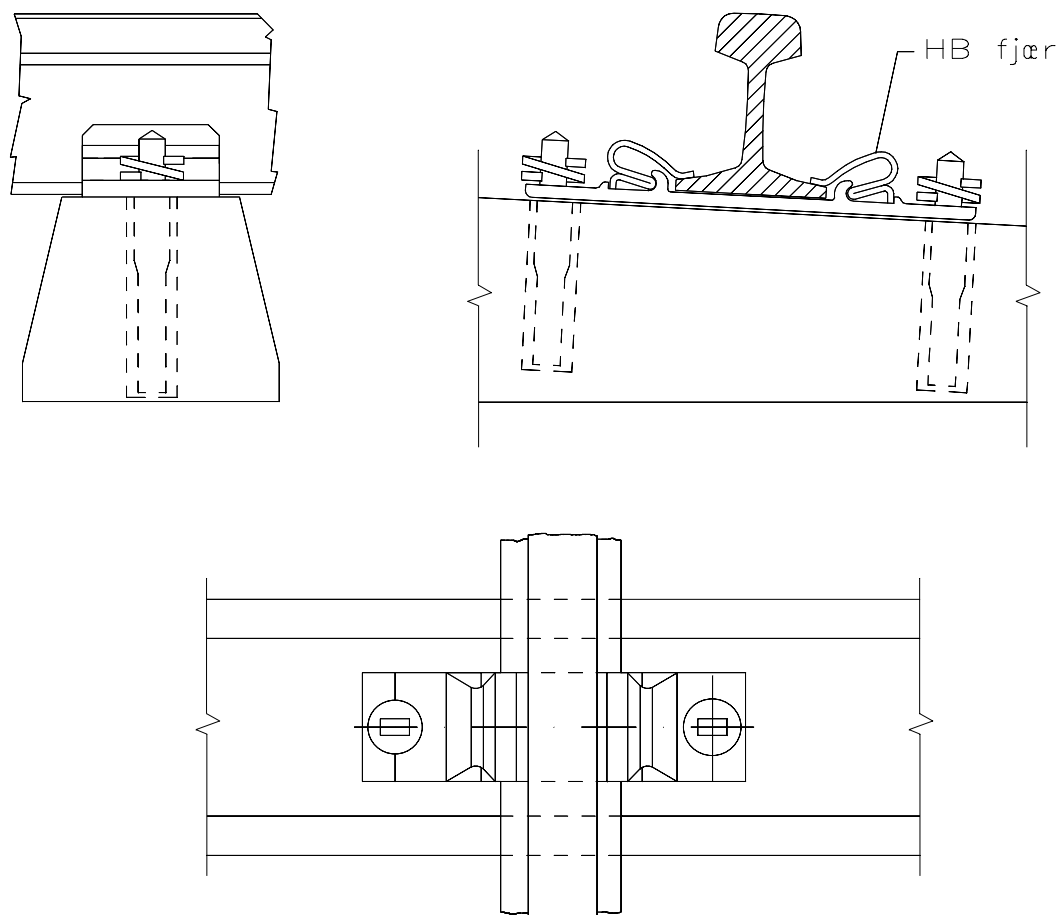
## 10 S41/S49/S54 / PANDROL PR / BETONGSVILLE 2 MED STØPEJERNSANKER



Tabell 6.a.10 Materialer til S41/S49/S54 / Pandrol PR / betongsville 2 med støpejernsanker

| Deler      | Betegnelse / F.nr.                                 |  |  | Ant. / sville |
|------------|--|--|--|---------------|
| Skinner    | S41<br>101.141.xx                                  | S49<br>101.149.xx                                  | S54<br>101.154.xx                                  | -             |
| Fjærer     | PR401<br>103.201.72                                | PR401<br>103.201.72                                | PR401<br>103.201.72                                | 4             |
| Mellomlegg | Sk 1632<br>103.101.33                              | Sk 1632<br>103.101.33                              | Sk 1632<br>103.101.33                              | 2             |
| Isolatorer | Sk 3117 (svart)<br>103.101.50                      | Sk 3117 (svart)<br>103.101.50                      | Sk 3117 (svart)<br>103.101.50                      | 4             |
| Sviller    | Betongsville 2 m/<br>støpejernsanker<br>116.001.04 | Betongsville 2 m/<br>støpejernsanker<br>116.001.04 | Betongsville 2 m/<br>støpejernsanker<br>116.001.04 | -             |

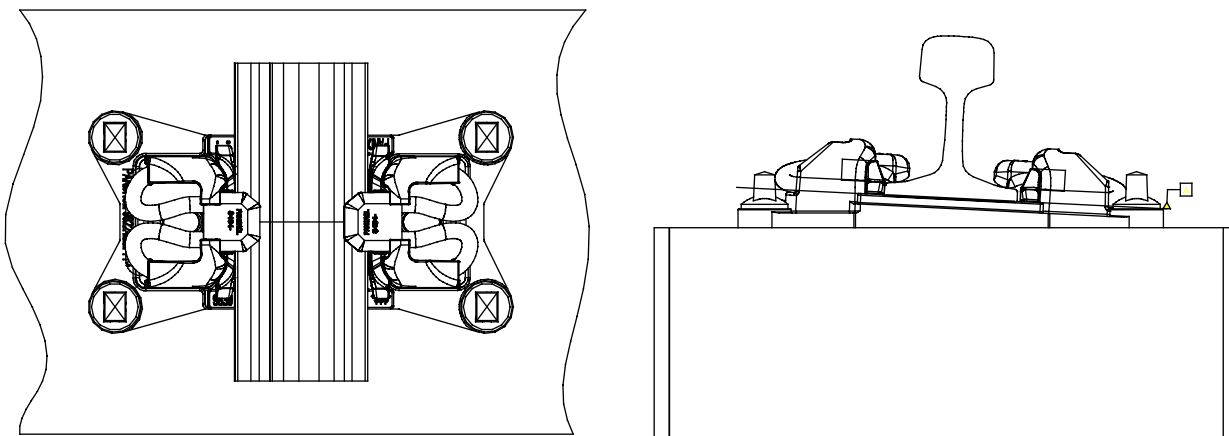
## 11 S41/S49 / HEY-BACK / BETONGSVILLE 2



Tabell 6.a.11 Materialer til S41/S49/S54 / Hey-Back / betongsville 2

| Deler                     | Betegnelse / F.nr.            |                               | Ant. / sville |
|---------------------------|-------------------------------|-------------------------------|---------------|
| Skinner                   | S41<br>101.141.xx             | S49<br>101.149.xx             | -             |
| Fjærer                    | HBFJ49B<br>103.201.07         | HBFJ49B<br>103.201.07         | 4             |
| Underlagsplate            | Sk 972<br>103.049.03          | Sk 972<br>103.049.03          | 2             |
| Mellomlegg, skinne/ plate | 2,0 X 110 X 125<br>103.101.17 | 2,0 X 110 X 125<br>103.101.17 | 2             |
| Mellomlegg, plate/sville  | 2,5x110x360<br>103.101.20     | 2,5x110x360<br>103.101.20     | 2             |
| Svilleskruer              | Sk 946<br>104.101.52          | Sk 946<br>104.101.52          | 8             |
| Sviller                   | Betongsville 2<br>116.003.03  | Betongsville 2<br>116.003.03  | -             |

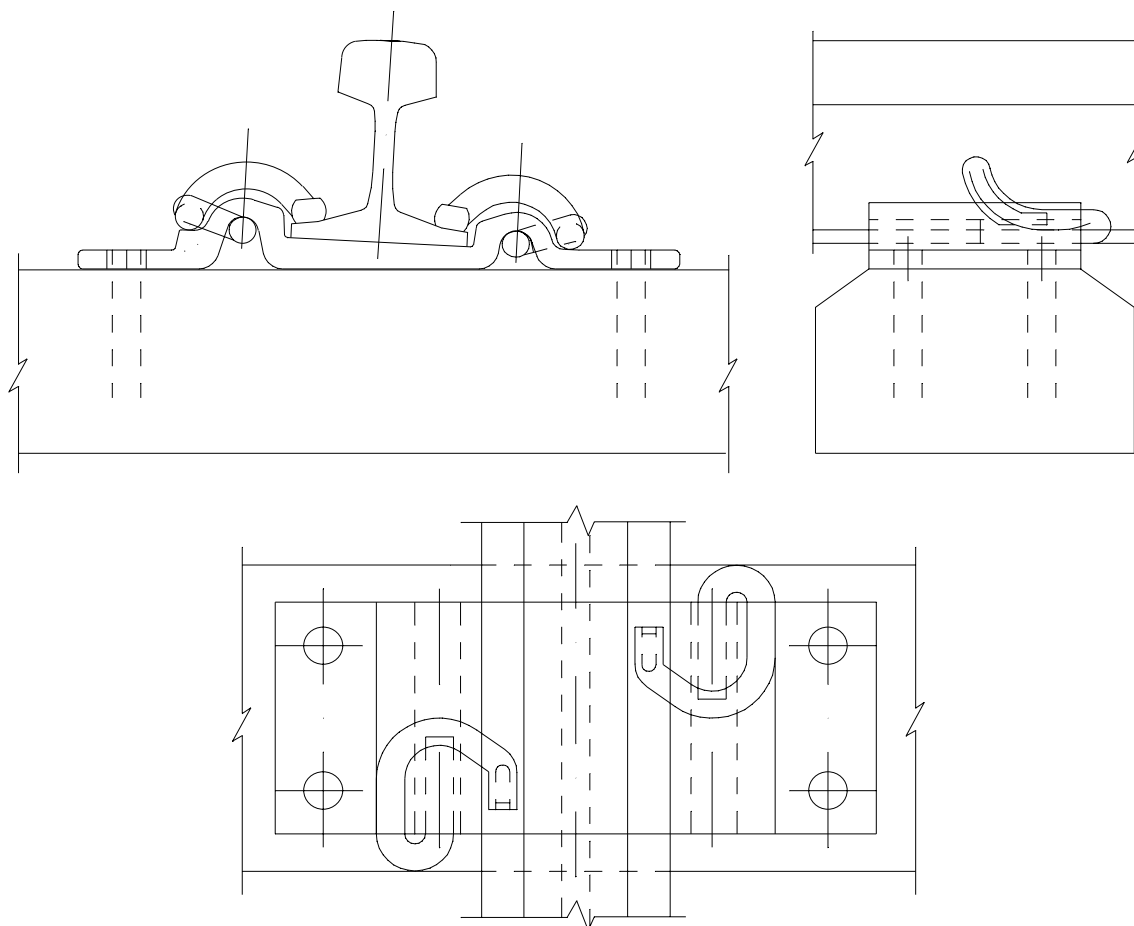
## 12 S49/S54 / PANDROL FASTCLIP / TRESVILLER



Tabell 6.a.12 Materialer til S49/S54 / Pandrol Fastclip / Tresviller

| Deler                     | Betegnelse/F.nr.             |                              | Ant. pr. sville |
|---------------------------|------------------------------|------------------------------|-----------------|
| Skinner                   | S49<br>101.149.xx            | S54<br>101.154.xx            | -               |
| Fjærer                    | Pandrol FC1501<br>103.203.01 | Pandrol FC1501<br>103.203.01 | 4               |
| Tåisolatorer              | Sk 3162a<br>103.203.06       | Sk 3162a<br>103.203.06       | 4               |
| Sideisolatorer            | Sk 3137<br>103.203.10        | Sk 3137<br>103.203.10        | 4               |
| Mellomleggsplater (gummi) | 10X180x125<br>103.101.59     | 10X180x125<br>103.101.59     | 2               |
| Underlagsplate            | Sk 3049<br>103.049.19        | Sk 3049<br>103.049.19        | 2               |
| Sville                    | Tresville X<br>116.115.83    | Tresville X<br>116.115.83    | -               |

## 13 S49/S54 / PANDROL E / TRESVILLER

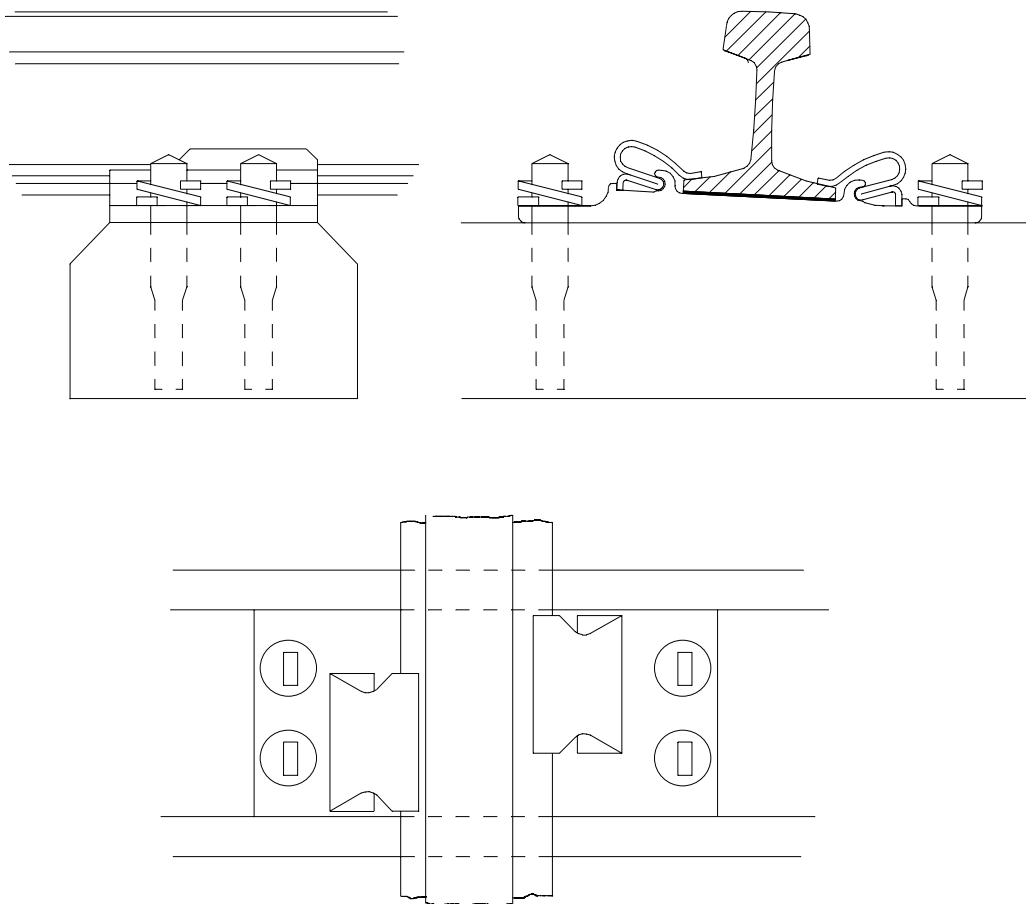


Tabell 6.a.13 Materialer til S49/S54 / Pandrol e / tresviller

| Deler                            | Betegnelse / F.nr.            |                           | Ant. / sville |
|----------------------------------|-------------------------------|---------------------------|---------------|
| Skinner                          | S49<br>101.149.xx             | S54<br>101.154.xx         | -             |
| Underlagsplate                   | Sk 3131<br>103.049.18         | Sk 3131<br>103.049.18     | 2             |
| Fjærer                           | e1877<br>103.201.56           | e1877<br>103.201.56       | 4             |
| Mellomlegg skinne/underlagsplate | 2,0 X 170 X 125<br>103.101.15 | ingen mellom-<br>legg     | 2             |
| Svilleskruer                     | Sk 1086<br>104.101.31         | Sk 1086<br>104.101.31     | 8             |
| Sviller                          | Tresville X<br>116.115.83     | Tresville X<br>116.115.83 | -             |

## 14

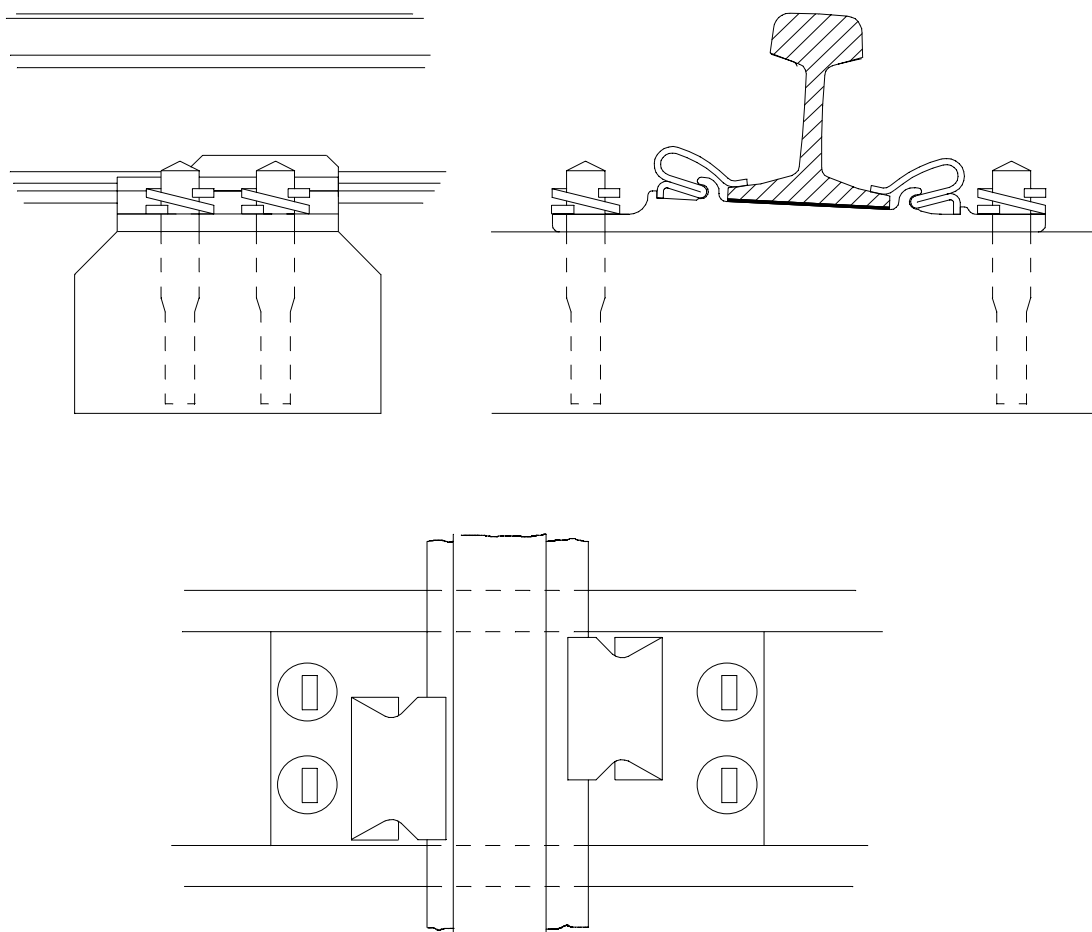
## S41/S49/S54 / HEY-BACK / TRESVILLER



Tabell 6.a.14 Materialer til S41/S49/S54 / Hey-Back / tresviller

| Deler          | Betegnelse / F.nr                |                               |                               | Ant. / sville |
|----------------|----------------------------------|-------------------------------|-------------------------------|---------------|
| Skinner        | S41<br>101.141.xx                | S49<br>101.149.xx             | S54<br>101.154.xx             | -             |
| Underlagsplate | Sk 691<br>103.049.01             | Sk 691<br>103.049.01          | Sk 691<br>103.049.01          | 2             |
| Fjærer         | HBFJ49<br>103.201.05             | HBFJ49<br>103.201.05          | HBFJ54<br>103.201.12          | 4             |
| Mellomlegg     | 2,0 X 170 X<br>125<br>103.101.15 | 2,0 X 170 X 125<br>103.101.15 | 2,0 X 170 X 125<br>103.101.15 | 2             |
| Svilleskruer   | Sk 1086<br>104.101.31            | Sk 1086<br>104.101.31         | Sk 1086<br>104.101.31         | 8             |
| Sviller        | Tresville X<br>116.115.81        | Tresville X<br>116.115.81     | Tresville X<br>116.115.81     | -             |

## 15 35KG/NSB40 / HEY-BACK / TRESVILLER

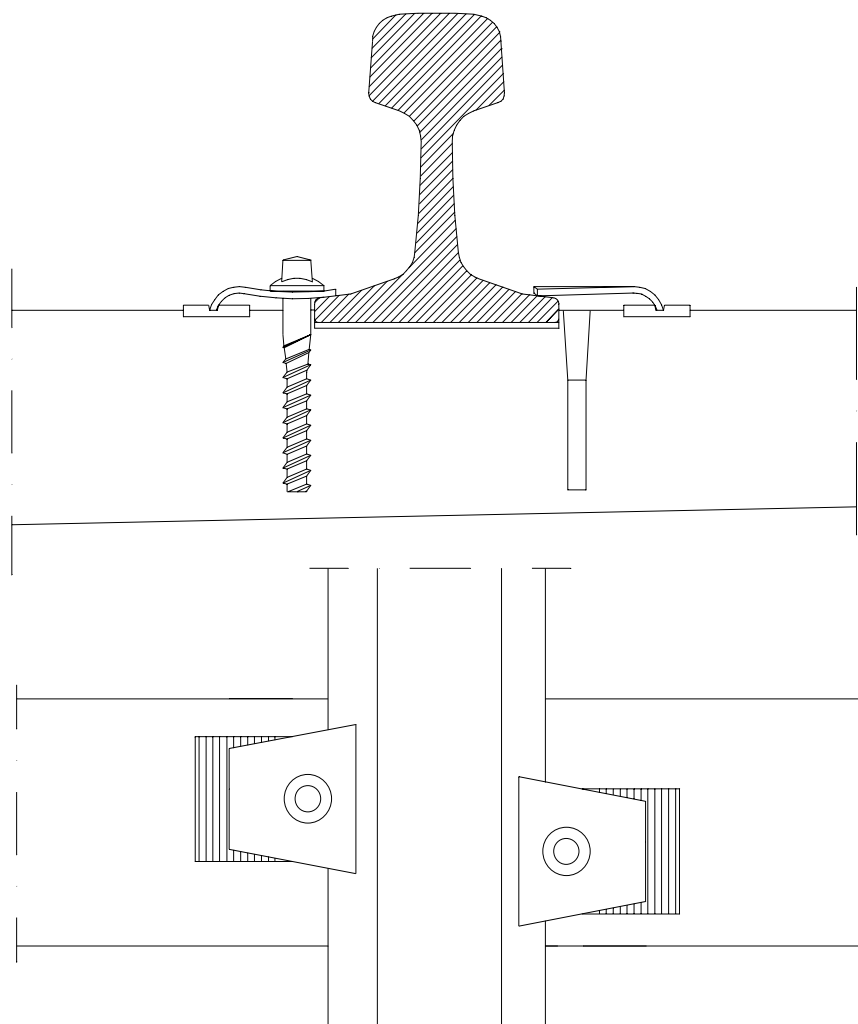


Tabell 6.a.15 Materialer til 35kg/NSB40 / Hey-Back / tresviller

| Deler          | Betegnelse / F.nr.            |                               | Ant. / sville |
|----------------|-------------------------------|-------------------------------|---------------|
| Skinner        | 35 kg<br>101.035.xx           | NSB40<br>101.140.xx           | -             |
| Underlagsplate | Sk 695<br>103.035.03          | Sk 695<br>103.035.03          | 2             |
| Fjærer         | HBFJ35<br>103.201.01          | HBFJ35<br>103.201.01          | 4             |
| Mellomlegg     | 2,0 X 160 X 110<br>103.101.16 | 2,0 X 160 X 110<br>103.101.16 | 2             |
| Svilleskruer   | Sk 1086<br>104.101.31         | Sk 1086<br>104.101.31         | 8             |
| Sviller        | Tresville X<br>116.115.xx     | Tresville X<br>116.115.xx     | -             |



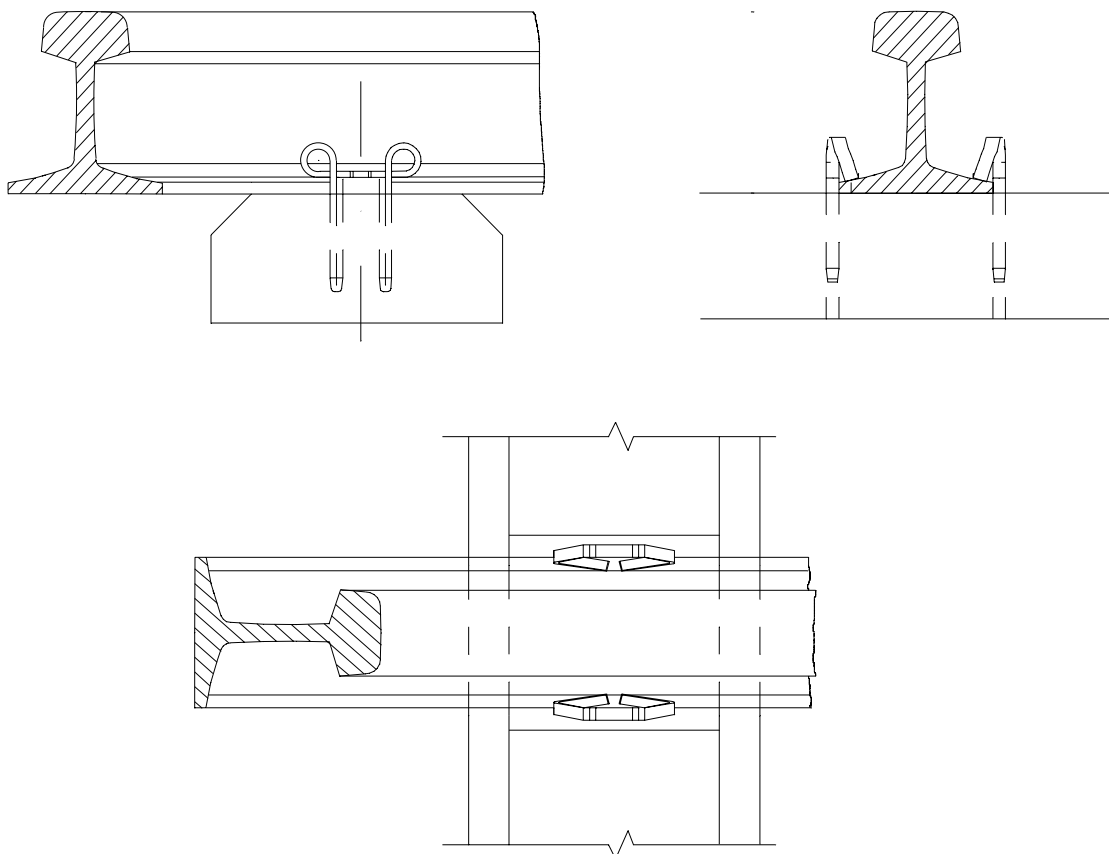
## 16 UIC54/UIC60 / NABLA / TRESVILLER



Tabell 6.a.16 Materialer til UIC54/UIC60 / Nabla / tresviller

| Deler             | Betegnelse / F.nr.            |                               | Ant. / sville |
|-------------------|-------------------------------|-------------------------------|---------------|
| Skinner           | UIC54                         | UIC60<br>101.160.xx           | -             |
| Mellomleggsplate  | 138 x 180 x 4,5<br>103.205.03 | 148 x 180 x 4,5<br>103.205.04 | 2             |
| Fjær m/ stålplate | RNTN 1<br>103.205.01          | RNTN 1<br>103.205.01          | 4             |
| Svilleskruer      | Sk 3141<br>103.205.02         | Sk 3141<br>103.205.02         | 4             |
| Sviller           | Tresville X<br>116.115.xx     | Tresville X<br>116.115.xx     | -             |

## 17 S54/UIC54/UIC60/ DOBLE FJÆRSPIKER / TRESVILLER

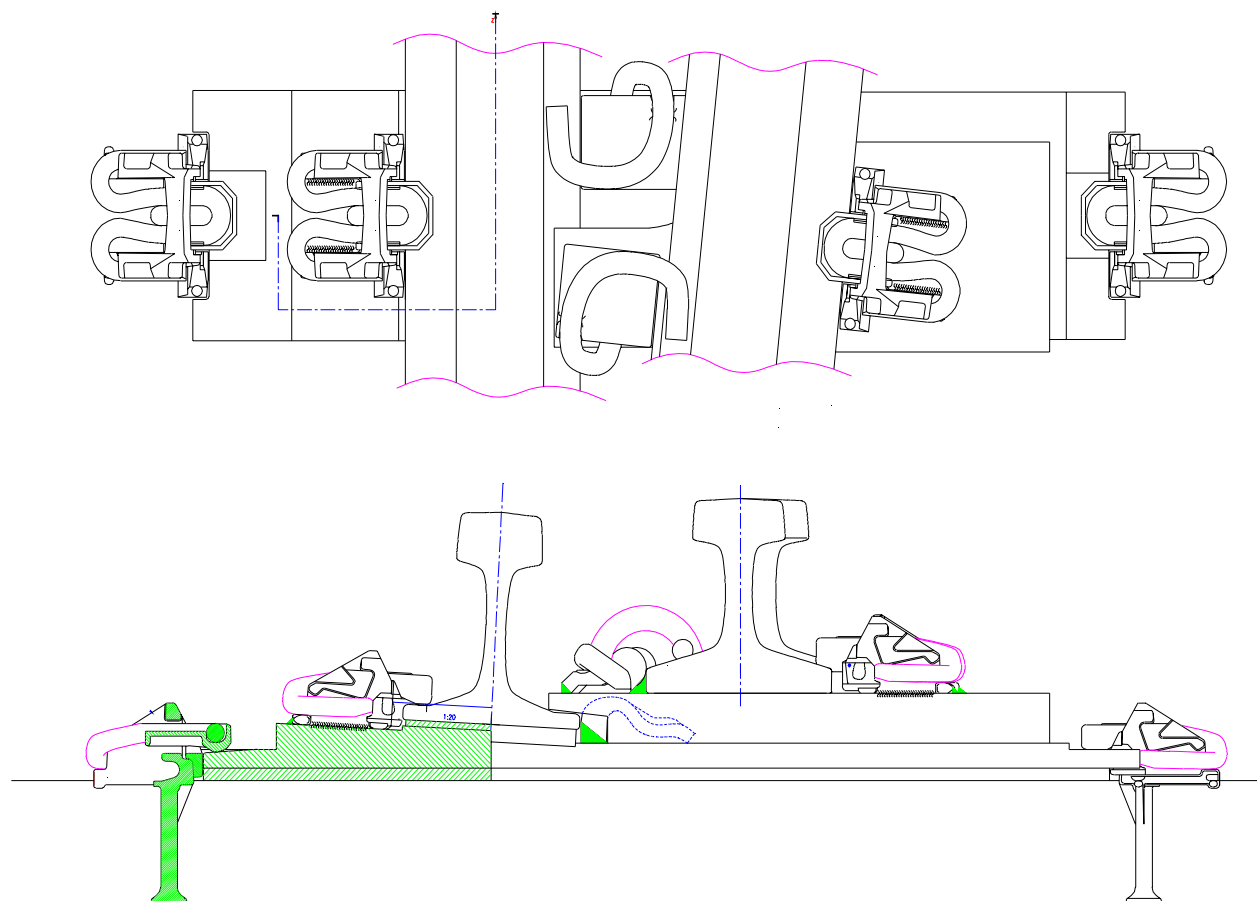


Tabell 6.a.17 Materialer til S54/UIC54/UIC60/ Doble fjærspiker / tresviller

| Deler             | Betegnelse / F.nr.        |                           |                           | Ant. / sville |
|-------------------|---------------------------|---------------------------|---------------------------|---------------|
|                   | UIC54                     | UIC60                     | S54                       |               |
| Skinner           |                           | 101.160.xx                | 101.154.xx                | -             |
| Dobble fjærspiker | Dna4<br>104.001.55        | Dna4<br>104.001.55        | Dna4<br>104.001.55        | 4             |
| Sviller           | Tresville X<br>116.115.xx | Tresville X<br>116.115.xx | Tresville X<br>116.115.xx | -             |

Anvendes fortrinnsvis i lange og fuktige tunneler.

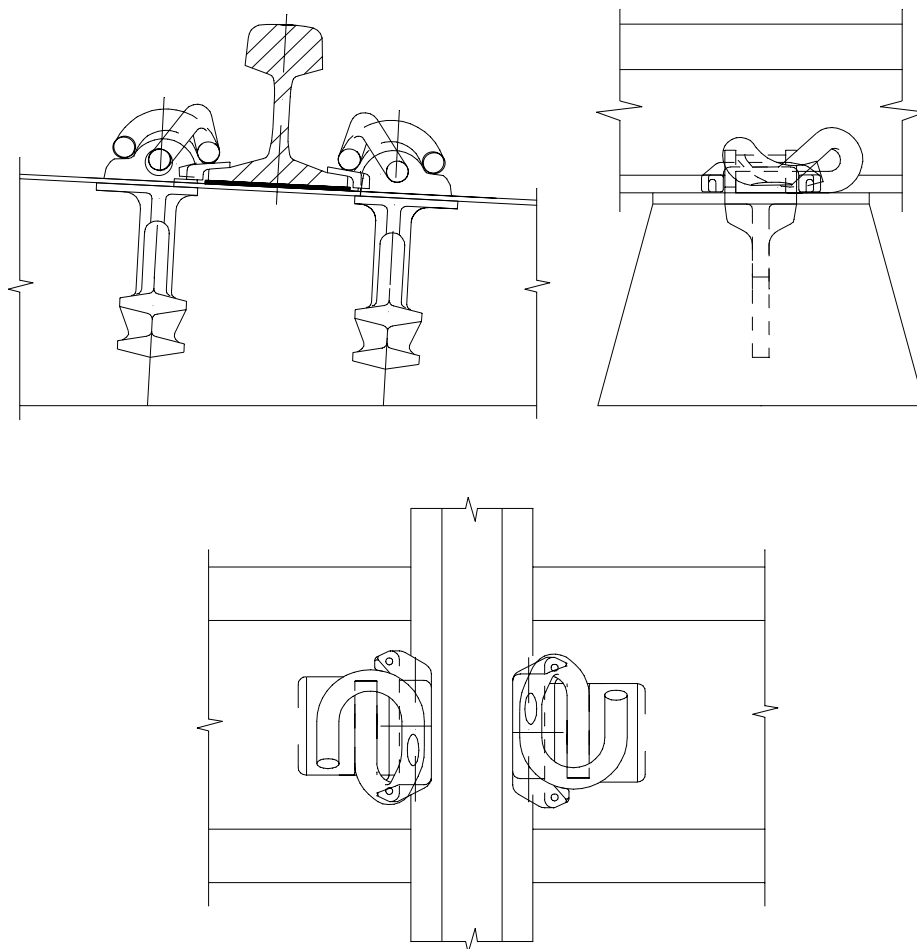
18 UIC60 / PANDROL FASTCLIP/e-CLIP / BETONGSVILLE FOR SPORVEKSEL



Tabell 6.a.18 Materialer til UIC60 / Pandrol Fastclip / Betongsville for sporveksel

| Deler                     | Betegnelse | F.nr.      |
|---------------------------|------------|------------|
| Skinner                   | UIC60      | -          |
| Fjærer                    | FC 1501    | 103.203.01 |
| Fjærer                    | e 2039     | 103.201.58 |
| Tåisolatorer (Fastclip)   | Sk 3162    | 103.203.02 |
| Sideisolatorer (Fastclip) | Sk 3163    | 103.203.03 |
| Isolatorer (e-clip)       | Sk 3118    | 103.101.58 |
| Mellomlegg                | Sk 3164    | 103.203.04 |

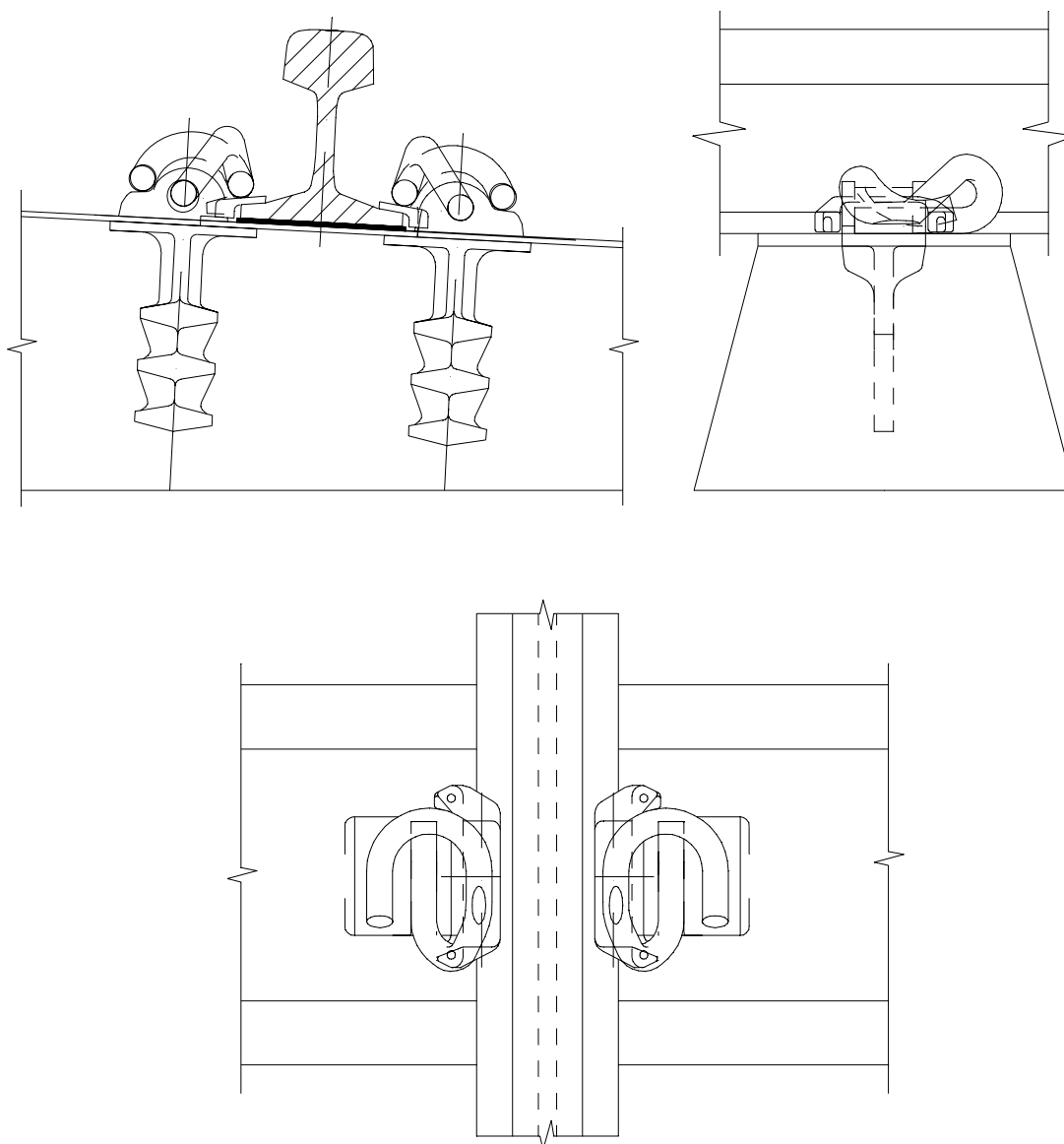
19 S54/UIC60 / PANDROL PR / BETONGSVILLE FOR SPORVEKSEL



Tabell 6.a.19 Materialer til S54/UIC60 / Pandrol PR/e / Betongsville for sporveksel

| Deler            | Betegnelse / F.nr.    |                       |
|------------------|-----------------------|-----------------------|
| Skinner          | S54                   | UIC60                 |
| Fjærer           | PR607A<br>103.201.57  | PR607A<br>103.201.57  |
| Isolatorer       | Sk 3109<br>103.101.57 | Sk 3118<br>103.101.58 |
| Mellomleggsplate | Sk 3111<br>103.101.39 | Sk 3125<br>103.101.31 |
| Sviller          | Sk 1634               | Sk 1634               |

**20 S49 / PANDROL PR / BETONGSVILLE FOR SPORVEKSEL**



Tabell 6.a.20 Materialer til S49 / Pandrol PR / Betongsville for sporveksel

| Deler      | Betegnelse | F.nr.      |
|------------|------------|------------|
| Skinner    | S49        | -          |
| Fjærer     | PR341A     | 103.201.54 |
| Isolatorer | Sk 1581    | 103.101.49 |
| Mellomlegg | Sk 1571    | 103.101.35 |
| Sviller    | Sk 1634    | -          |